

Assembly Instructions

 One Person Assembly




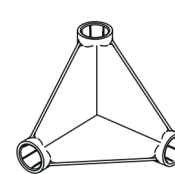
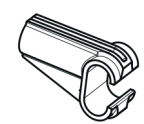
Mammoth Lite⁺ 45, 60, 80, 90, 100, 120, 150 Assembly Guide



Equipment Hangers

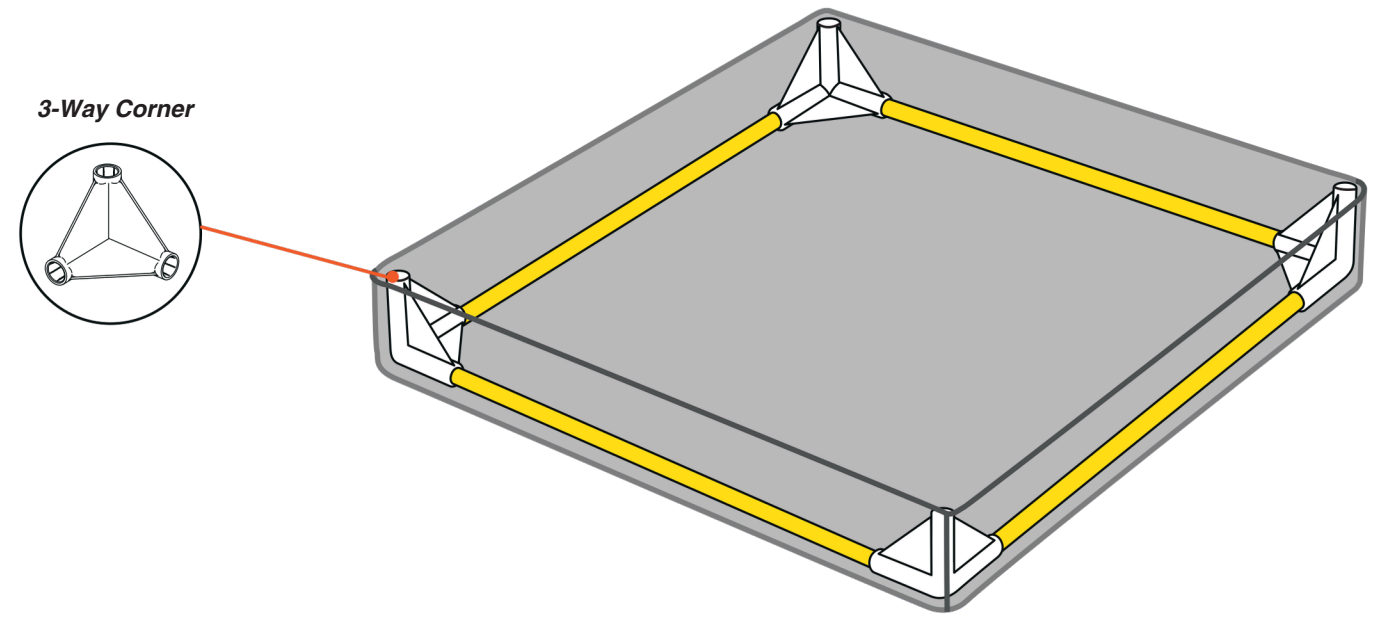


Parts List

-  Yellow Pole x10
-  Blue Pole x4
-  Black Pole x4
-  3-Way Corner x8
-  Equipment Hanger Ends x4

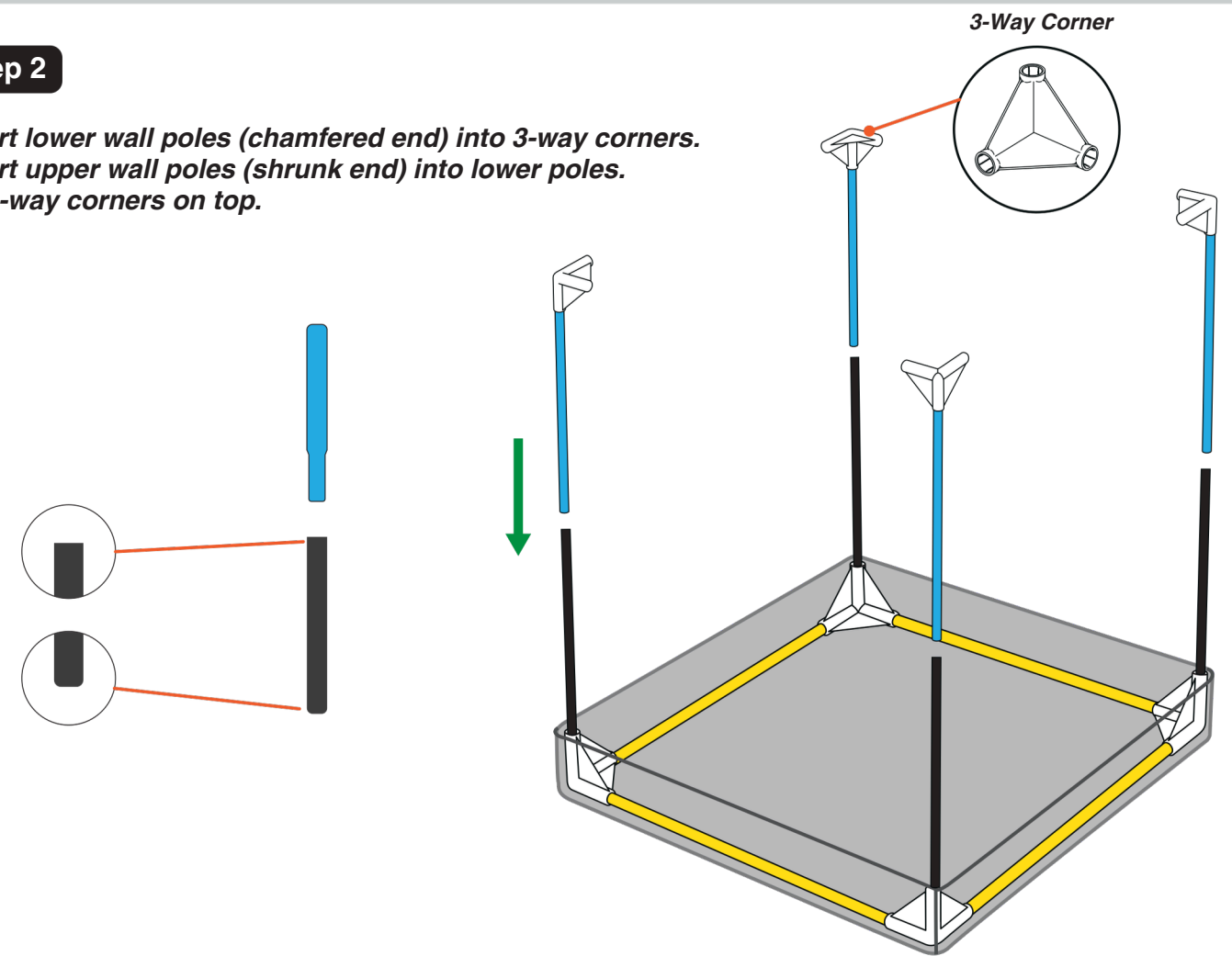
Step 1

Organise poles and connectors into their colours and groups.
Unzip and lay out tent.
Locate floor section and lay flat with edge sections vertical.
Assemble floor poles and 3-way corners as shown.



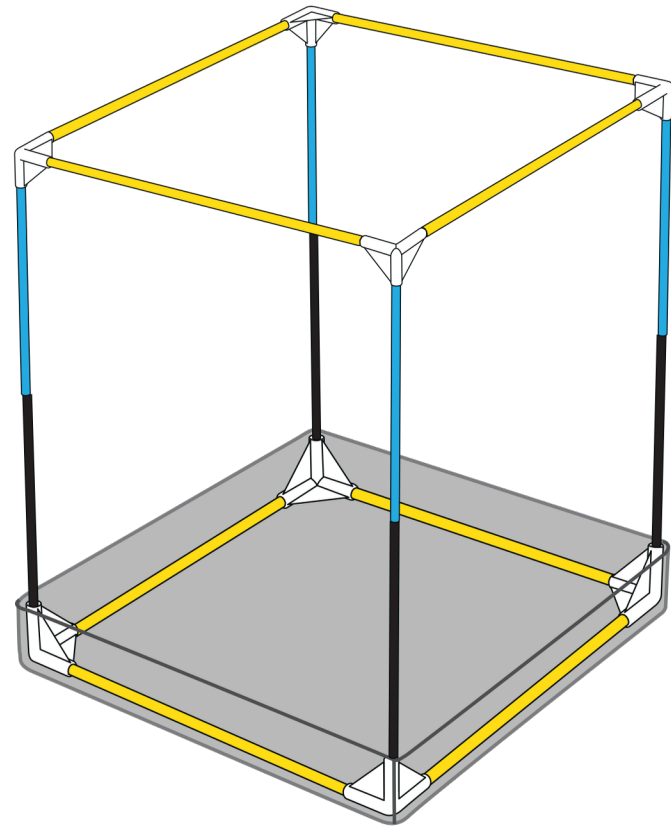
Step 2

Insert lower wall poles (chamfered end) into 3-way corners.
Insert upper wall poles (shrunk end) into lower poles.
Fit 3-way corners on top.



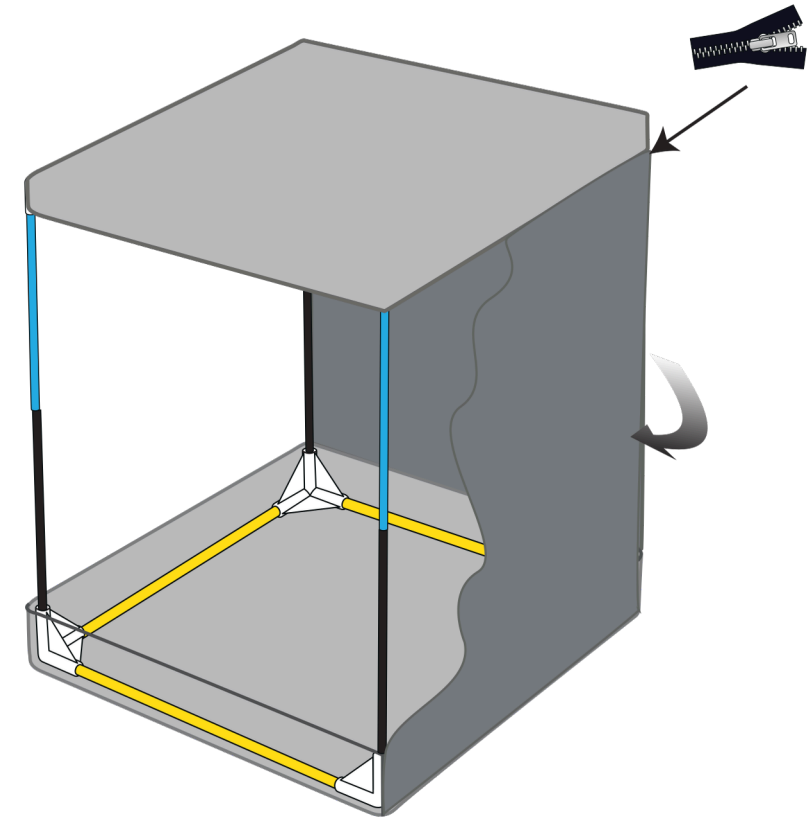
Step 3

Insert ceiling poles into top 3-way corners.



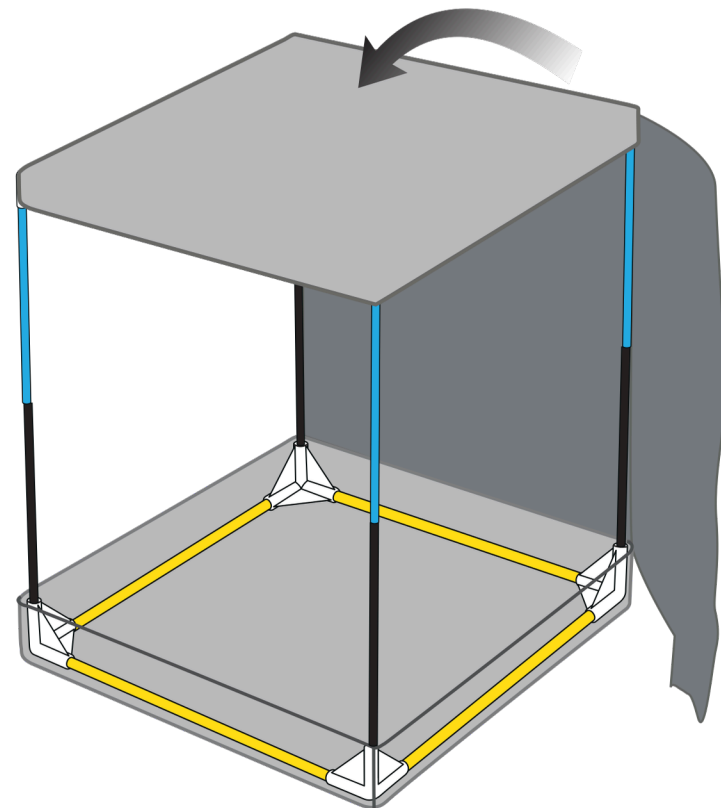
Step 5

Close tent zip starting top right as shown.



Step 4

Lift tent over roof as shown.



Step 6

*Close tent zip top to bottom as shown.
Fit equipment hanger ends to poles.
Position equipment hangers as required.*

